



1.2 dB NF Input Protected Low Noise Amplifier, Operating from 2.6 GHz to 3.1 GHz with 40 dB Gain, 10 dBm P1dB and SMA

TECHNICAL DATA SHEET

PE15A63009

The PE15A63009 is an Input Protected Low Noise RF coaxial amplifier operating in the 2.6 to 3.1 GHz range. The Amplifier offers 1.2 dB typical noise figure and can handle up to 1 Watt CW input power without damage. Additional typical performance includes 40 dB small signal gain, 1.5:1 VSWR and +10 dBm P1dB. The exceptional technical performance is achieved through the use of a 4 stage hybrid MIC assembly that incorporates a low loss input PIN Diode Limiter protective circuit followed by gain stages that use Enhancement mode (EMode) GaAs pHEMT devices. The 50 ohm SMA connectorized module is unconditionally stable, includes built-in DC voltage regulation, and supports DC blocking Capacitors on the RF ports. The Amplifier operates with a bias voltage of +12V typical and over the temperature range of -40°C to +85°C. This model is RoHS compliant and has an EAR99 export classification.

Features

- 2.6 GHz to 3.1 GHz Frequency Range
- 1W CW Input Protection
- P1dB: 10 dBm
- High Small Signal Gain: 40 dB typical
- Gain Flatness: ± 1 dB
- Gain Variance: ± 1 dB
- Noise Figure: 1.2 dB typ
- 50 Ohm Input and Output Matched
- -40°C to +75°C Operating Temperature
- Single DC Positive Supply

Applications

- R&D Labs
- Radar Systems
- Test Instrumentation
- Communication Systems
- IF Amplifier/RF Driver Amplifier
- RF Wideband Front Ends

Electrical Specifications (TA = +25°C, DC Voltage = 12Vdc, DC Current = 120mA)

Description	Minimum	Typical	Maximum	Units
Frequency Range	2.6		3.1	GHz
Small Signal Gain		40		dB
Gain Flatness		± 1		dB
Gain Variance at OTR*		± 1		dB
Output at 1 dB Compression Point	+10			dBm
Noise Figure		1.2	1.6	dB
Input VSWR		1.5:1	1.8:1	
Output VSWR		1.5:1	1.8:1	
Spurious			-60	dBc
Input Power (CW)			+30	dBm
Operating DC Voltage		12		Volts
Operating DC Current		120		mA
Operating Temperature Range	-40		+75	°C

*OTR= Base Plate Operating Temperature Range

Click the following link (or enter part number in "SEARCH" on website) to obtain additional part information including price, inventory and certifications: [1.2 dB NF Input Protected Low Noise Amplifier, Operating from 2.6 GHz to 3.1 GHz with 40 dB Gain, 10 dBm P1dB and SMA PE15A63009](#)



1.2 dB NF Input Protected Low Noise Amplifier, Operating from 2.6 GHz to 3.1 GHz with 40 dB Gain, 10 dBm P1dB and SMA

TECHNICAL DATA SHEET

PE15A63009

Mechanical Specifications

Size

Length	1.7 in [43.18 mm]
Width	0.95 in [24.13 mm]
Height	0.4 in [10.16 mm]
Weight	0.063 lbs [28.58 g]
Input Connector	SMA Female
Output Connector	SMA Female

Environmental Specifications

Temperature

Operating Range	-40 to +75 deg C
Storage Range	-45 to +125 deg C

Compliance Certifications (see [product page](#) for current document)

Plotted and Other Data

Notes:

- Values at +25 °C, sea level

Click the following link (or enter part number in "SEARCH" on website) to obtain additional part information including price, inventory and certifications: [1.2 dB NF Input Protected Low Noise Amplifier, Operating from 2.6 GHz to 3.1 GHz with 40 dB Gain, 10 dBm P1dB and SMA PE15A63009](#)

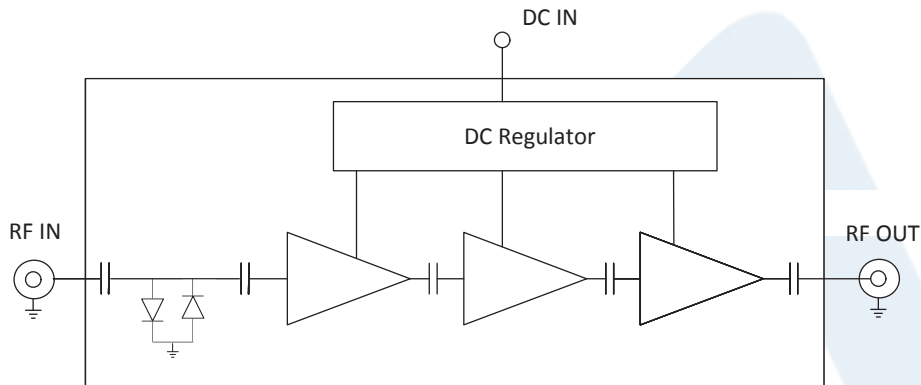


1.2 dB NF Input Protected Low Noise Amplifier, Operating from 2.6 GHz to 3.1 GHz with 40 dB Gain, 10 dBm P1dB and SMA

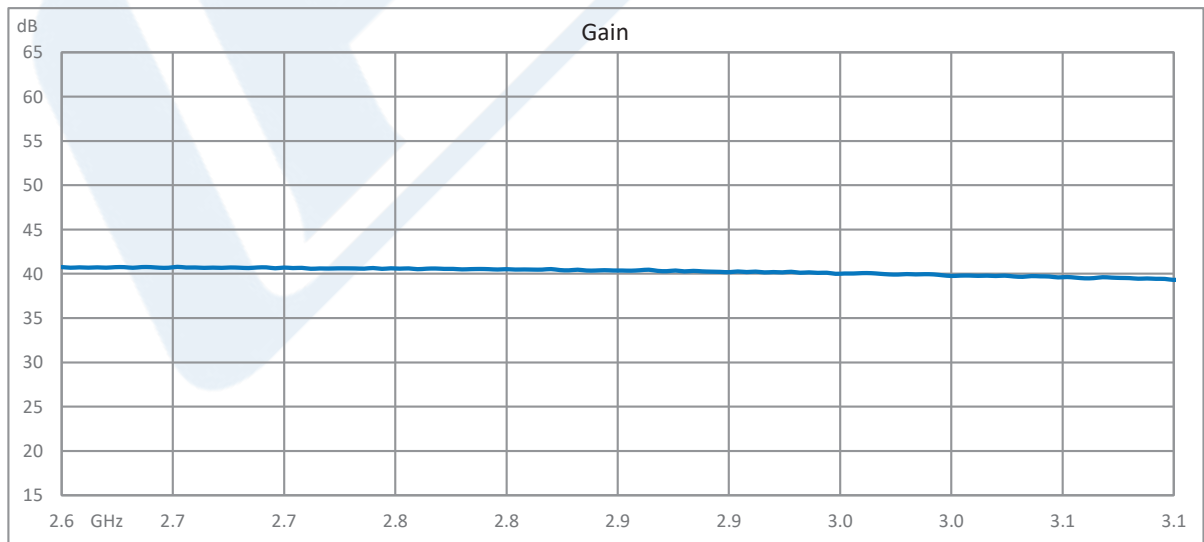
TECHNICAL DATA SHEET

PE15A63009

Functional Block Diagram



Typical Performance Data

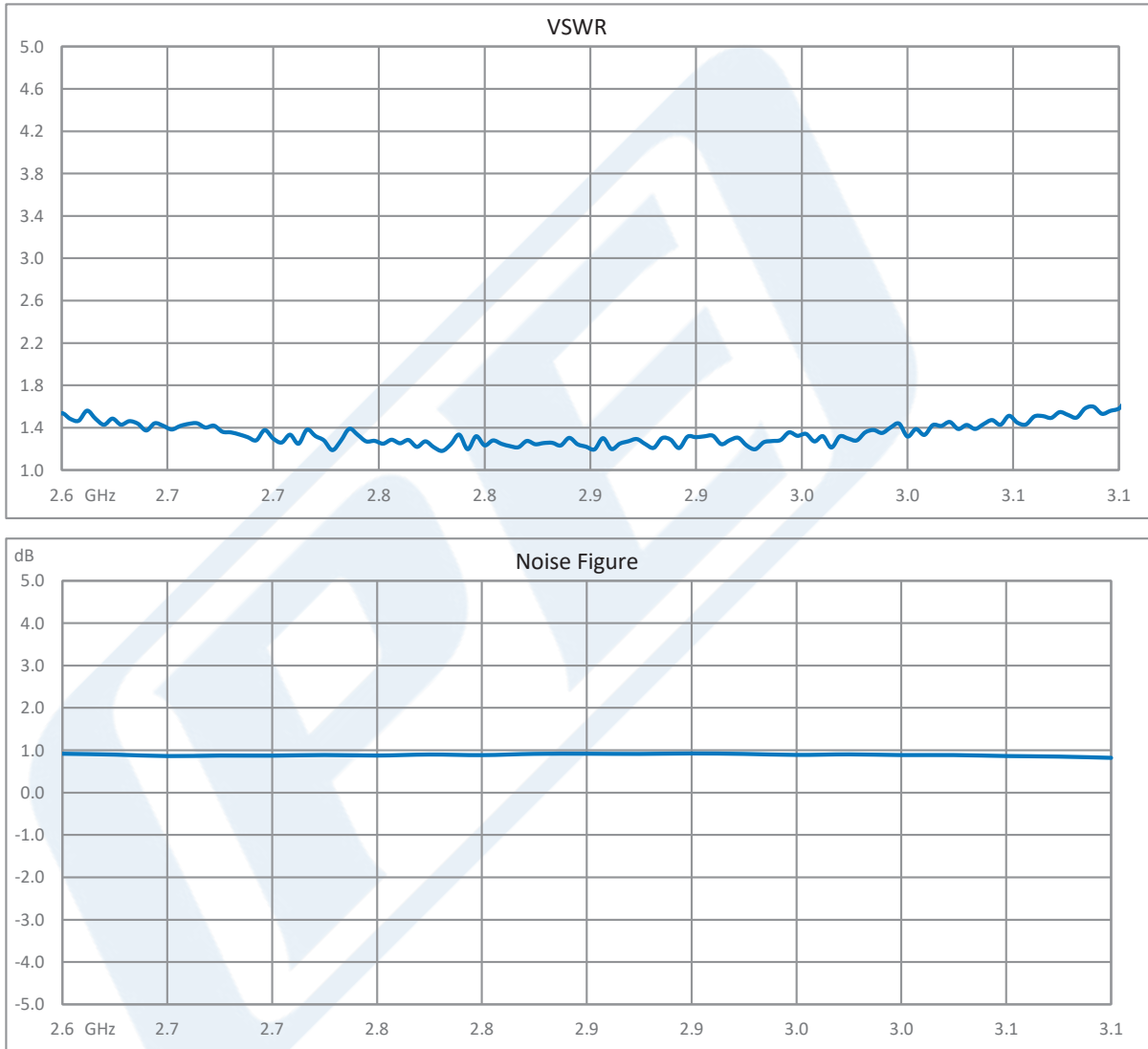


Click the following link (or enter part number in "SEARCH" on website) to obtain additional part information including price, inventory and certifications: [1.2 dB NF Input Protected Low Noise Amplifier, Operating from 2.6 GHz to 3.1 GHz with 40 dB Gain, 10 dBm P1dB and SMA PE15A63009](#)



1.2 dB NF Input Protected Low Noise Amplifier, Operating from 2.6 GHz to 3.1 GHz with 40 dB Gain, 10 dBm P1dB and SMA

TECHNICAL DATA SHEET PE15A63009



Click the following link (or enter part number in "SEARCH" on website) to obtain additional part information including price, inventory and certifications: [1.2 dB NF Input Protected Low Noise Amplifier, Operating from 2.6 GHz to 3.1 GHz with 40 dB Gain, 10 dBm P1dB and SMA PE15A63009](#)



1.2 dB NF Input Protected Low Noise Amplifier, Operating from 2.6 GHz to 3.1 GHz with 40 dB Gain, 10 dBm P1dB and SMA

TECHNICAL DATA SHEET

PE15A63009

1.2 dB NF Input Protected Low Noise Amplifier, Operating from 2.6 GHz to 3.1 GHz with 40 dB Gain, 10 dBm P1dB and SMA from Pasternack Enterprises has same day shipment for domestic and International orders. Our RF, microwave and millimeter wave products maintain a 99.4% availability and are part of the broadest selection in the industry.

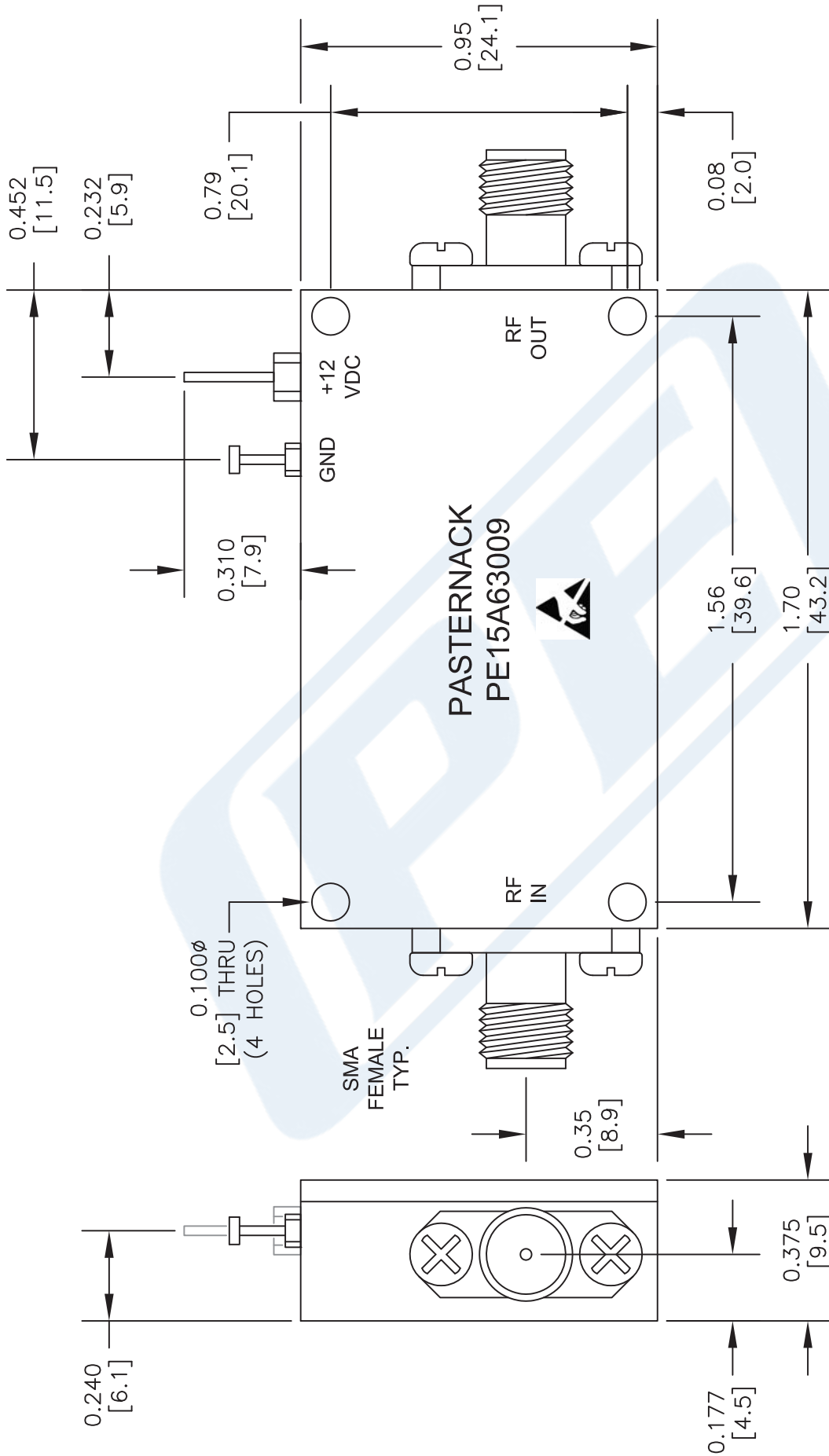
Click the following link (or enter part number in "SEARCH" on website) to obtain additional part information including price, inventory and certifications: [1.2 dB NF Input Protected Low Noise Amplifier, Operating from 2.6 GHz to 3.1 GHz with 40 dB Gain, 10 dBm P1dB and SMA PE15A63009](https://www.pasternack.com/40-db-gain-1.2-db-3.1-ghz-low-noise-amplifier-sma-pe15a63009-p.aspx)

URL: <https://www.pasternack.com/40-db-gain-1.2-db-3.1-ghz-low-noise-amplifier-sma-pe15a63009-p.aspx>

The information contained in this document is accurate to the best of our knowledge and representative of the part described herein. It may be necessary to make modifications to the part and/or the documentation of the part, in order to implement improvements. Pasternack reserves the right to make such changes as required. Unless otherwise stated, all specifications are nominal. Pasternack does not make any representation or warranty regarding the suitability of the part described herein for any particular purpose, and Pasternack does not assume any liability arising out of the use of any part or documentation.

PE15A63009 CAD Drawing

1.2 dB NF Input Protected Low Noise Amplifier, Operating from 2.6 GHz to 3.1 GHz with 40 dB Gain, 10 dBm P1dB and SMA



DWG TITLE

PE15A63009

NOTES:
 1. UNLESS OTHERWISE SPECIFIED ALL DIMENSIONS ARE NOMINAL.
 2. ALL SPECIFICATIONS ARE SUBJECT TO CHANGE WITHOUT NOTICE AT ANY TIME.
 3. DIMENSIONS ARE IN INCHES [mm].

FSCM NO. 53919

CAD FILE 071916

SCALE N/A

SIZE A

2233



Pasternack Enterprises, Inc.
 P.O. Box 16759 | Irvine | CA | 92623
 Phone: (949) 261-1920 | Fax: (949) 261-7451
 Website: www.pasternack.com | E-Mail: sales@pasternack.com