



## 2 Way 1.0 mm Power Divider From DC to 110 GHz Rated at 0.2 Watts

### Power Dividers Technical Data Sheet

**PE20DV2107**

#### Features

- 2-Way Power Divider
- DC to 110 GHz Frequency Range
- 1.0 mm (W1) Connectorized Design
- Max Power 0.2 Watt (CW)
- Insertion Loss < 9 dB
- Typical VSWR of 1.6:1

#### Applications

- Test and Measurement
- Military Communications
- Commercial Communications
- Wireless Communications
- SATCOM

#### Description

Pasternack carries a wide selection of power dividers to fit your needs. These components are essential in many systems, allowing the combination of multiple signals or splitting of a single signal into multiple signals with equal magnitude and phase. Pasternack's resistive and Wilkinson power dividers come with excellent performance featuring minimal loss, high isolation and low VSWR. They are available in both narrow and broad bandwidths with a variety of connector types such as 2.92mm, BNC, N, SMA and 1.0 mm (W1).

The PE20DV2107 is a 2-way resistive power divider that operates from DC to 110 GHz and can handle up to 0.2 Watt (CW) with 9 dB max insertion loss. The package interface uses 1.0 mm (W1) female connectors.

#### Electrical Specifications

Design Resistive  
Number of Output Ports 2

Description	Minimum	Typical	Maximum	Units
Frequency Range	DC		110	GHz
Impedance		50		Ohms
Input VSWR			1.9:1	
Insertion Loss			9	dB
Phase Balance		10	20	Degrees
Input Power (CW)			0.2	Watts

#### Specifications by Frequency

Description	F1	F2	F3	F4	F5	Units
Frequency Range	DC to 20	20 to 50	50 to 67	67 to 90	90 to 110	GHz
Input VSWR, Max	1.4:1	1.4:1	1.6:1	1.9:1	1.9:1	
Insertion Loss, Max	7	7.5	8.25	9	9	dB
Amplitude Balance, Max	0.6	0.75	0.75	1.25	1.75	dB

Click the following link (or enter part number in "SEARCH" on website) to obtain additional part information including price, inventory and certifications: [2 Way 1.0mm Power Divider from DC to 110 GHz Rated at 0.2 Watts PE20DV2107](#)



## 2 Way 1.0 mm Power Divider From DC to 110 GHz Rated at 0.2 Watts

### Power Dividers Technical Data Sheet

**PE20DV2107**

Electrical Specification Notes:  
Insertion loss max 9 dB, Includes Power Dividing Loss.

#### Mechanical Specifications

<b>Size</b>	
Length	0.441 in [11.2 mm]
Width	0.441 in [11.2 mm]
Height	0.441 in [11.2 mm]
Weight	0.15 lbs [68.04 g]

#### Configuration

Package Type	Connectorized
Input Connector	1.0mm Female
Output Connectors	1.0mm Female

#### Environmental Specifications

##### Temperature

Operating Range	+0 to +70 deg C
Storage Range	-55 to +125 deg C

Humidity	95% at 40 °C, 96 hours, Test 103B, Condition B
Shock	100 G peak sawtooth, method 213, Condition B

#### Compliance Certifications (see [product page](#) for current document)

#### Plotted and Other Data

Notes:

2 Way 1.0 mm Power Divider From DC to 110 GHz Rated at 0.2 Watts from Pasternack Enterprises has same day shipment for domestic and International orders. Our RF, microwave and millimeter wave products maintain a 99.4% availability and are part of the broadest selection in the industry.

Click the following link (or enter part number in "SEARCH" on website) to obtain additional part information including price, inventory and certifications: [2 Way 1.0mm Power Divider from DC to 110 GHz Rated at 0.2 Watts PE20DV2107](#)

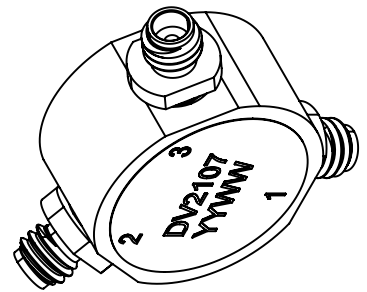
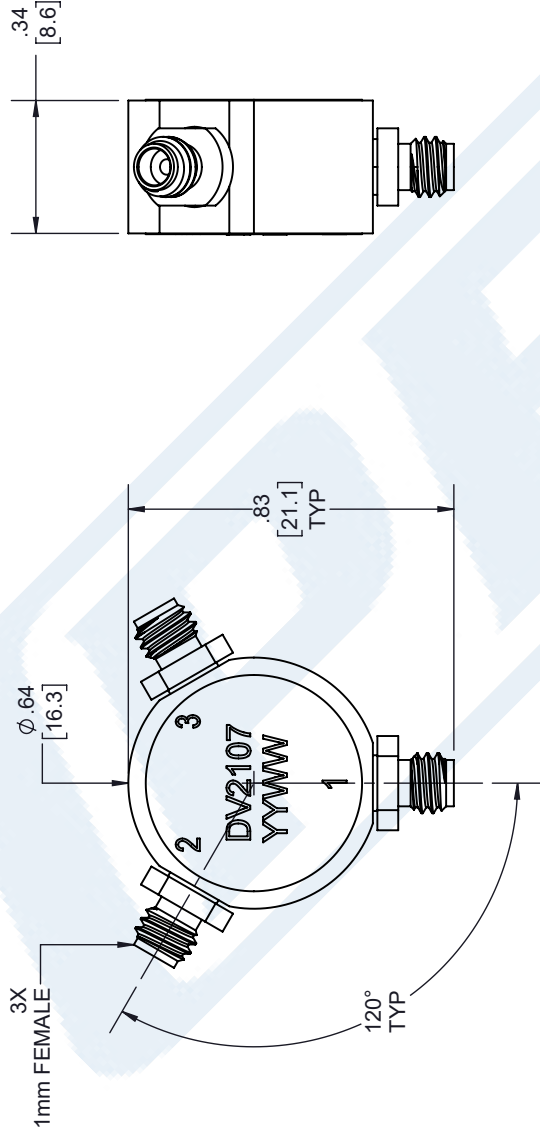
URL: <https://www.pasternack.com/0-way-1.0mm-power-divider-110-ghz-pe20dv2107-p.aspx>

The information contained in this document is accurate to the best of our knowledge and representative of the part described herein. It may be necessary to make modifications to the part and/or the documentation of the part, in order to implement improvements. Pasternack reserves the right to make such changes as required. Unless otherwise stated, all specifications are nominal. Pasternack does not make any representation or warranty regarding the suitability of the part described herein for any particular purpose, and Pasternack does not assume any liability arising out of the use of any part or documentation.

# PE20DV2107 CAD Drawing

2 Way 1.0 mm Power Divider From DC to 110 GHz Rated at 0.2 Watts

REVISIONS			
REV.	DESCRIPTION	DATE	APPROVED
A	INITIAL RELEASE	8/1/2022	S. PONG



UNLESS OTHERWISE SPECIFIED LEADING DIMENSIONS ARE INCHES DIMENSIONS IN [ ] ARE MILLIMETERS

TOLERANCES:  
 .X = ±.2 [5.08] FRACTIONS ± 1/32  
 .XX = ±.02 [ .51] ANGLES ± 1°  
 .XXX = ±.005 [ .13] CABLE LENGTH (L), TOLERANCES:  
 L ≤ 12 [305] = +1 [25] / -0  
 12 [305] < L ≤ 60 [1524] = +2 [51] / -0  
 60 [1524] < L ≤ 120 [3048] = +4 [102] / -0  
 120 [3048] < L ≤ 300 [7620] = +6 [152] / -0  
 300 [7620] < L = +5% / -0

ALL DIMENSIONS SHOWN ARE FOR REFERENCE ONLY.

**PE PASTERNAK**  
 an INFINITE brand

Pasternack Enterprises, Inc.  
 P. O. Box 16759, Irvine, CA 92623.  
 Phone: 1.949.261.1920 | 1.866.727.8376  
 Fax: 1.949.261.7451  
 Website: www.pasternack.com  
 E-mail: sales@pasternack.com

SIZE A CAGE CODE 53919 DRAWN BY K.DANG ITEM NO. PE20DV2107

THIRD-ANGLE PROJECTION

THE INFORMATION AND DESIGN IN THIS DOCUMENT IS THE PROPERTY OF PASTERNAK CORPORATION ALL RIGHTS RESERVED.

SHEET 1 OF 1

SCALE N/A

REV A

THESE COMMODITIES, TECHNOLOGY OR SOFTWARE WERE EXPORTED FROM THE UNITED STATES IN ACCORDANCE WITH THE EXPORT ADMINISTRATION REGULATIONS. DIVERSION CONTRARY TO U.S. LAW PROHIBITED.