



High Power Limiter, SMA, 100W Peak Power, 20 ns Recovery, 19 dBm Flat Leakage, 1 GHz to 2 GHz

## Limiters Technical Data Sheet

**PE8019**

### Electrical Specifications

Internal DC Return

Description	Minimum	Typical	Maximum	Units
Frequency Range	1		2	GHz
Insertion Loss		0.2	0.4	dB
Input VSWR		1.2:1	1.4:1	
Output VSWR		1.2:1	1.4:1	
Leakage (CW)			+19	dBm
Leakage (Peak)			+23	dBm
Recovery Time		20		ns
Input Power (CW)			1	Watt
Input Power (Peak) @1us pulse, 0.1% Duty Cycle Derated to 20% @ +125°C			100	Watt
Limiting Threshold		+9		dBm

Electrical Specification Notes:

Values at 25°C, sea level. Specification @ +25°C and -10 dBm input power.

### Mechanical Specifications

#### Size

Length	1.21 in [30.73 mm]
Width	0.31 in [7.87 mm]
Height	0.31 in [7.87 mm]
Weight	0.03 lbs [13.61 g]
Body Material and Plating	Passivated Stainless Steel

#### Configuration

Style	PIN-PIN High Power Limiter
Package Style	Connectorized Module
Impedance	50 Ohms
Connector 1	SMA Male
Connector 2	SMA Female

### Environmental Specifications

#### Temperature

Operating Range	-55 to +125 deg C
Storage Range	-65 to +155 deg C

Shock	50 G's, 11 msec
-------	-----------------

Click the following link (or enter part number in "SEARCH" on website) to obtain additional part information including price, inventory and certifications: [High Power Limiter, SMA, 100W Peak Power, 20 ns Recovery, 19 dBm Flat Leakage, 1 GHz to 2 GHz PE8019](#)



High Power Limiter, SMA, 100W Peak Power, 20 ns Recovery, 19 dBm Flat Leakage, 1 GHz to 2 GHz

## Limiters Technical Data Sheet

**PE8019**

Vibration

20G, 100 to 2000Hz

**Compliance Certifications** (see [product page](#) for current document)

### Plotted and Other Data

Notes:

- Values at 25°C, sea level.

High Power Limiter, SMA, 100W Peak Power, 20 ns Recovery, 19 dBm Flat Leakage, 1 GHz to 2 GHz from Pasternack Enterprises has same day shipment for domestic and International orders. Our RF, microwave and millimeter wave products maintain a 99.4% availability and are part of the broadest selection in the industry.

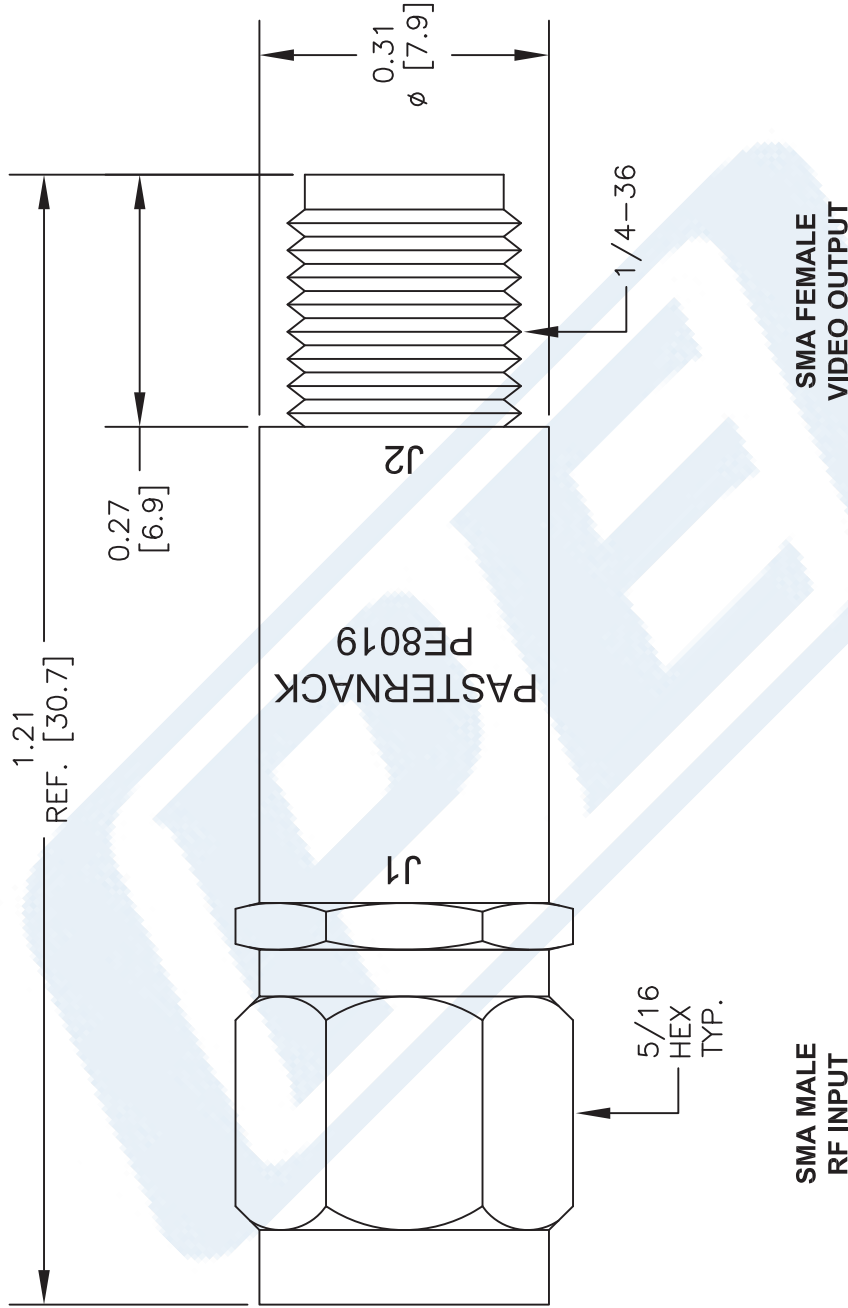
Click the following link (or enter part number in "SEARCH" on website) to obtain additional part information including price, inventory and certifications: [High Power Limiter, SMA, 100W Peak Power, 20 ns Recovery, 19 dBm Flat Leakage, 1 GHz to 2 GHz PE8019](#)

URL: <https://www.pasternack.com/high-power-limiter-sma-100w-peak-power-20-ns-recovery-19-dbm-flat-leakage-1-ghz-to-2-ghz-pe8019-p.aspx>

The information contained in this document is accurate to the best of our knowledge and representative of the part described herein. It may be necessary to make modifications to the part and/or the documentation of the part, in order to implement improvements. Pasternack reserves the right to make such changes as required. Unless otherwise stated, all specifications are nominal. Pasternack does not make any representation or warranty regarding the suitability of the part described herein for any particular purpose, and Pasternack does not assume any liability arising out of the use of any part or documentation.

# PE8019 CAD Drawing

High Power Limiter, SMA, 100W Peak Power, 20 ns Recovery, 19 dBm Flat Leakage, 1 GHz to 2 GHz



DWG TITLE

**PE8019**

NOTES:  
 1. UNLESS OTHERWISE SPECIFIED ALL DIMENSIONS ARE NOMINAL.  
 2. ALL SPECIFICATIONS ARE SUBJECT TO CHANGE WITHOUT NOTICE AT ANY TIME.  
 3. DIMENSIONS ARE IN INCHES [mm].

FSCM NO. 53919

CAD FILE 090313

SCALE N/A

SIZE A

2233



Pasternack Enterprises, Inc.  
 P.O. Box 16759 | Irvine | CA | 92623  
 Phone: (949) 261-1920 | Fax: (949) 261-7451  
 Website: www.pasternack.com | E-Mail: sales@pasternack.com